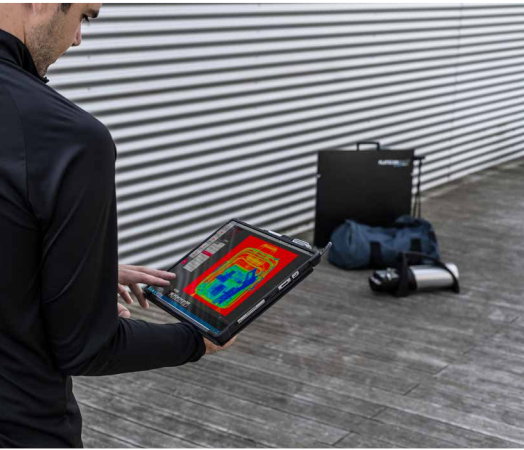


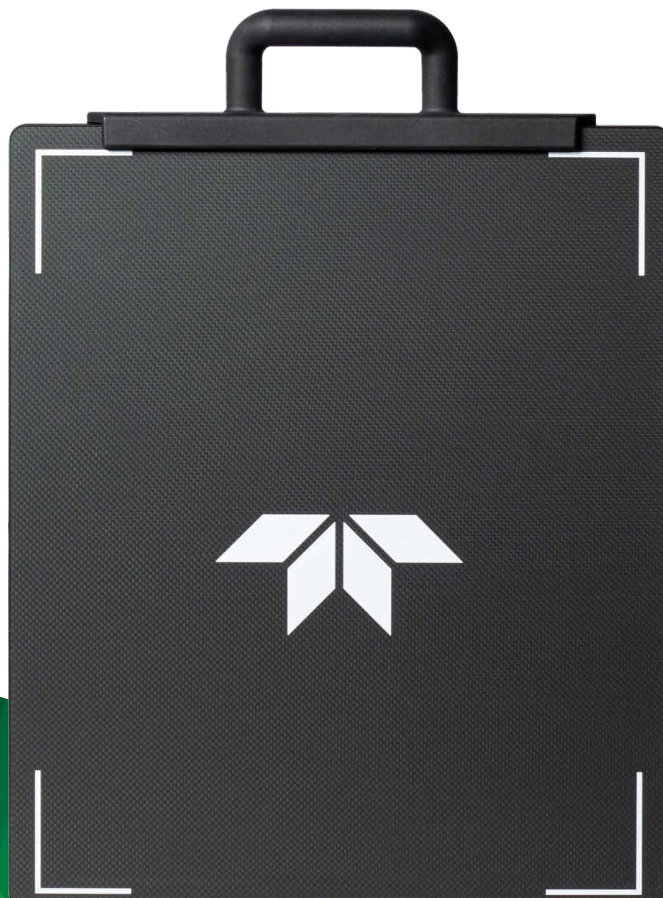


THE ULTIMATE X-RAY SOLUTION



TactXL

Ultra Portable X-Ray System



TELEDYNE ICM
Everywhereyoulook™

Part of the Teledyne Imaging Group

ALL DETAILS IN JUST A SINGLE SHOOT !

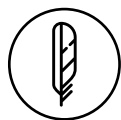
Lightweight, compactness, straightforward handling and high resolution image definition are the key factors that led to the design of the **TactXL** package. Developed both with and for EOD operators, the **TactXL** x-ray detector weighs just 4.3 Kg and is truly compact. Combined with Teledyne ICM **CPBattery** X-Ray generators (**CP120B**, **CP160B** or **LiteX**), it is the ideal choice for inspections in narrow places or areas that are difficult to reach.



DEVELOPED WITH
EOD TEAMS



IP 67



ULTRA LIGHT



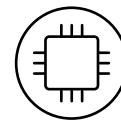
USER-FRIENDLY



4353 ACTIVE AREA



0.5M DROP TEST



STATE-OF-
THE-ART
IMAGE EDITING
SOFTWARE

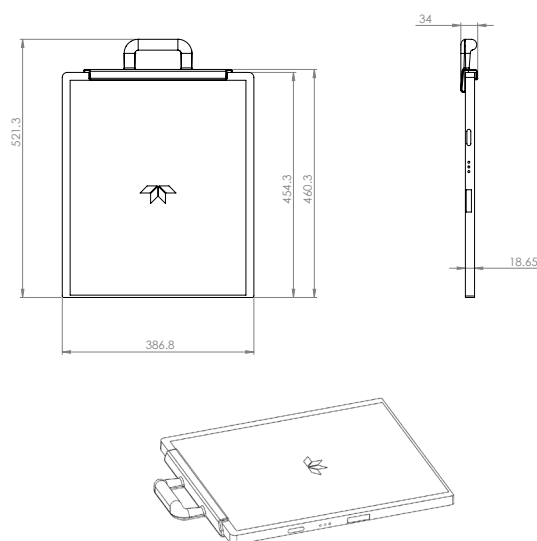


FAST SET-UP

TECHNICAL SPECIFICATION

Features	Unit	TACTXL
Sensor type	-	aSi
Resolution	lp/mm	3.24
Pixel size	µm	154
Dynamic range (Grey levels)	bits	16
Active area	mm / in diag.	434 x 355 / 17 x 14
Maximum penetration	mm / in of steel	35 / 1.3 (with CP120B)
	mm / in of steel	45 / 1.7 (with CP160B)
Number of covered side	-	3 (left, bottom, right)
Dead zone	mm / in	4.6 / 0.15 (from bottom) 15 / 0.59 (from side)
External dimensions	mm / in	454 x 387 x 18.65 / 17.87 x 15.24 x 0.7
Weight	Kg / lbs	~4.3 / 8.1
Operating temperature	°C / °F	-20 to +50 / -4 to +122
Storage temperature	°C / °F	-20 to +65 / -4 to +149
Communication protocols	-	Bluetooth / Wifi or cable driven (optional)
Work with	-	CP120B / CP160B / LiteX X-ray generators
Imaging Station	-	Notebook, toughbook, tablet, toughpad

DRAWINGS



ACCESSORIES



TRIPOD

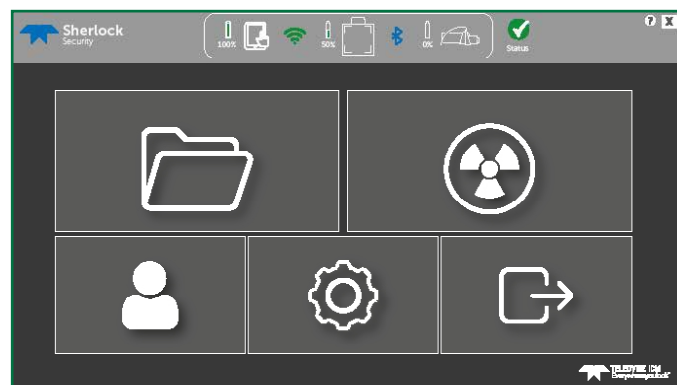


LATERAL FEET



TRANSPORT CASE

SHERLOCK SECURITY SOFTWARE



Histogram	Materials separation
Pan, Zoon; Distance measurement	Emboss
Reverse black & white	Stitching
Pseudo color	Image saving / recording
Deep focus	Image sharing
Low battery alarm	Image tilting and rotation
X-ray source parameters adjustable	Antivirus software

SAFETY WARNINGS. The Goods can cause death, personal injury or property damage if they are used, operated, maintained, stored or disposed of improperly. In particular, the Goods may emit x-ray radiation, so adequate safety precautions must be taken to minimize exposure. At a minimum, Buyer should adhere to the ALARA (as low as reasonably achievable) principle and should comply with all applicable regulations relating to protection against x-ray emissions.

All specifications are non contractual and subject to change without prior notice.

TELEDYNE ICM

Zoning Les Plenesses / Rue Du Progrès 3 / B-4821 Andrimont (Dison) - Belgium

+32 (0)87 44 01 50 / icm.sales@teledyne.com



TELEDYNE ICM
Everywhereyoulook™

Part of the Teledyne Imaging Group